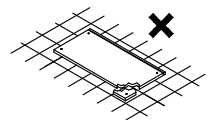
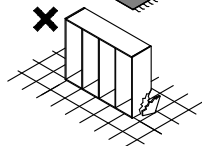
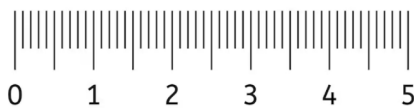
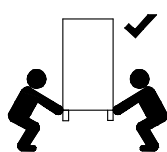
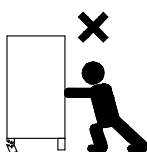
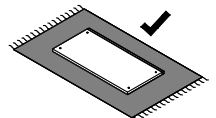
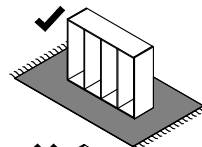
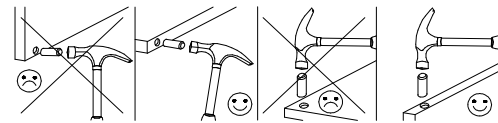
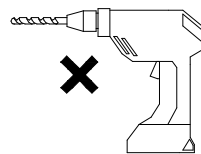
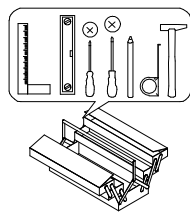
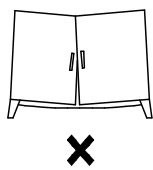
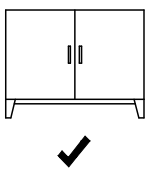
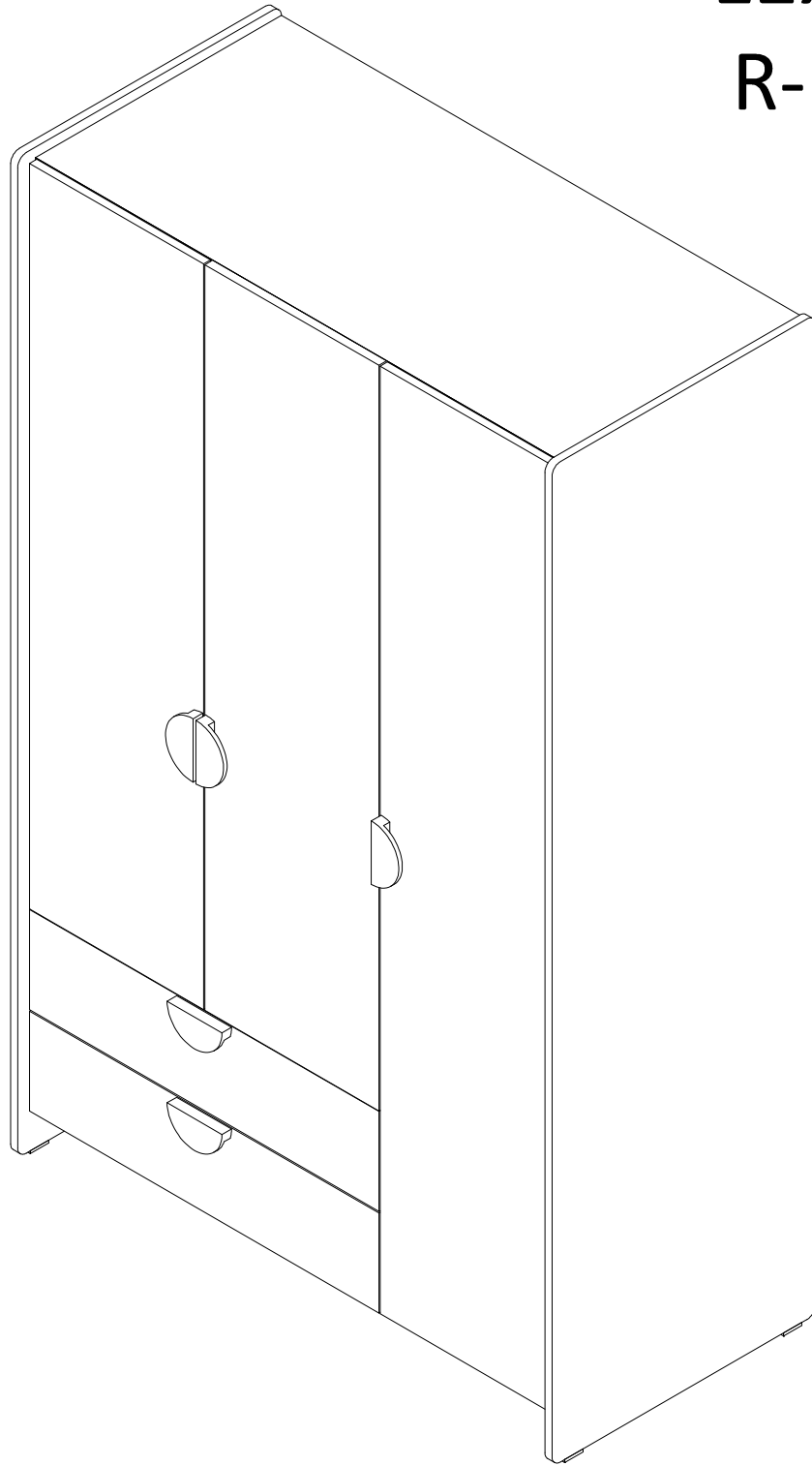
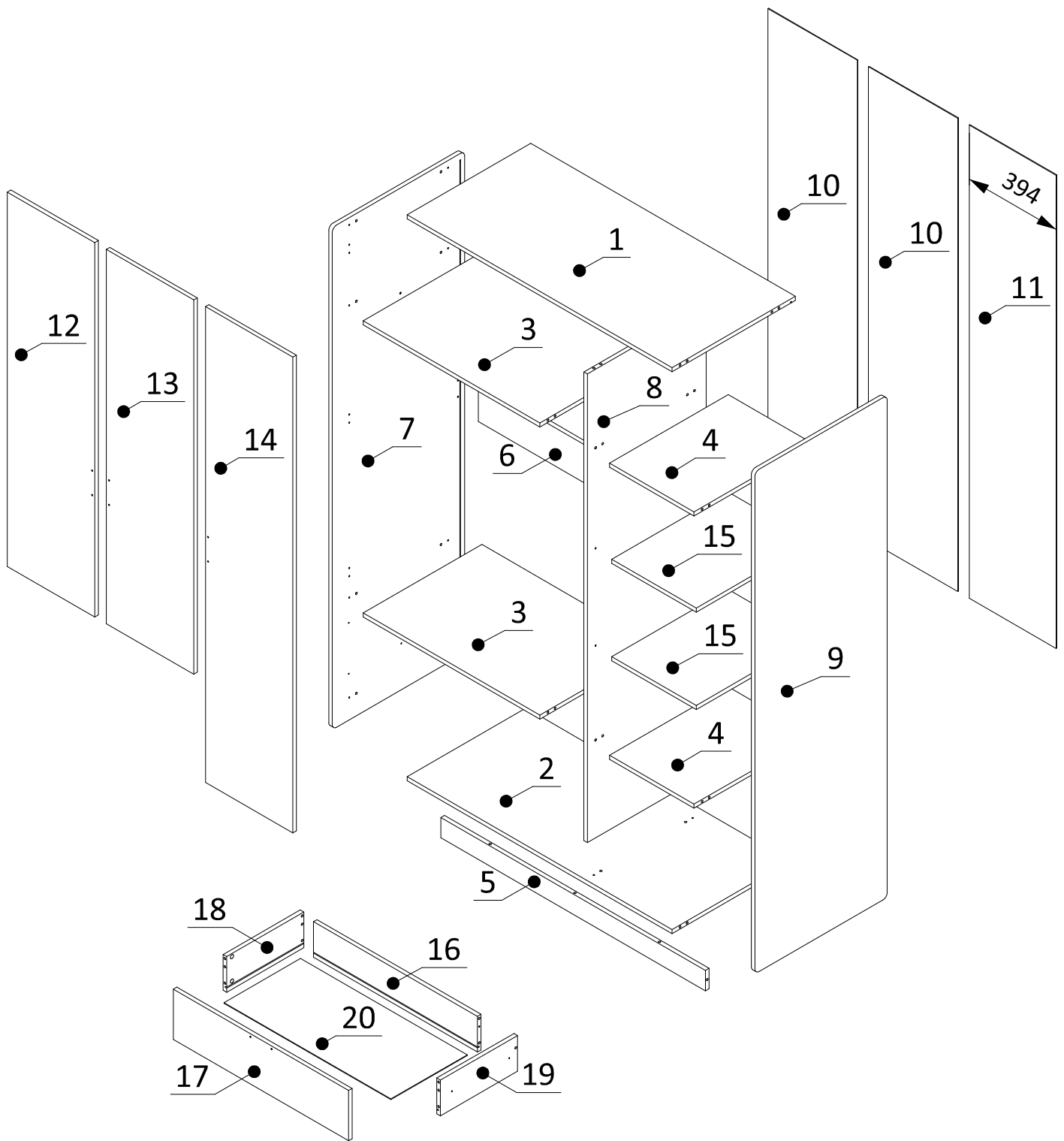
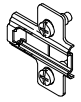
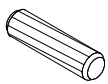


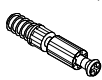
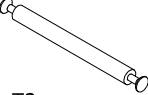
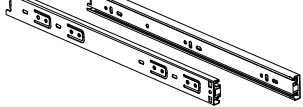
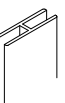
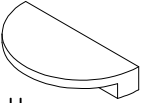
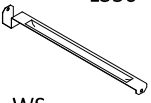





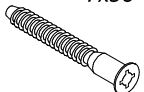
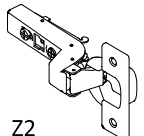
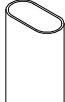
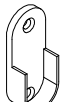

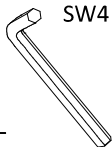
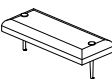



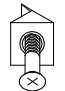



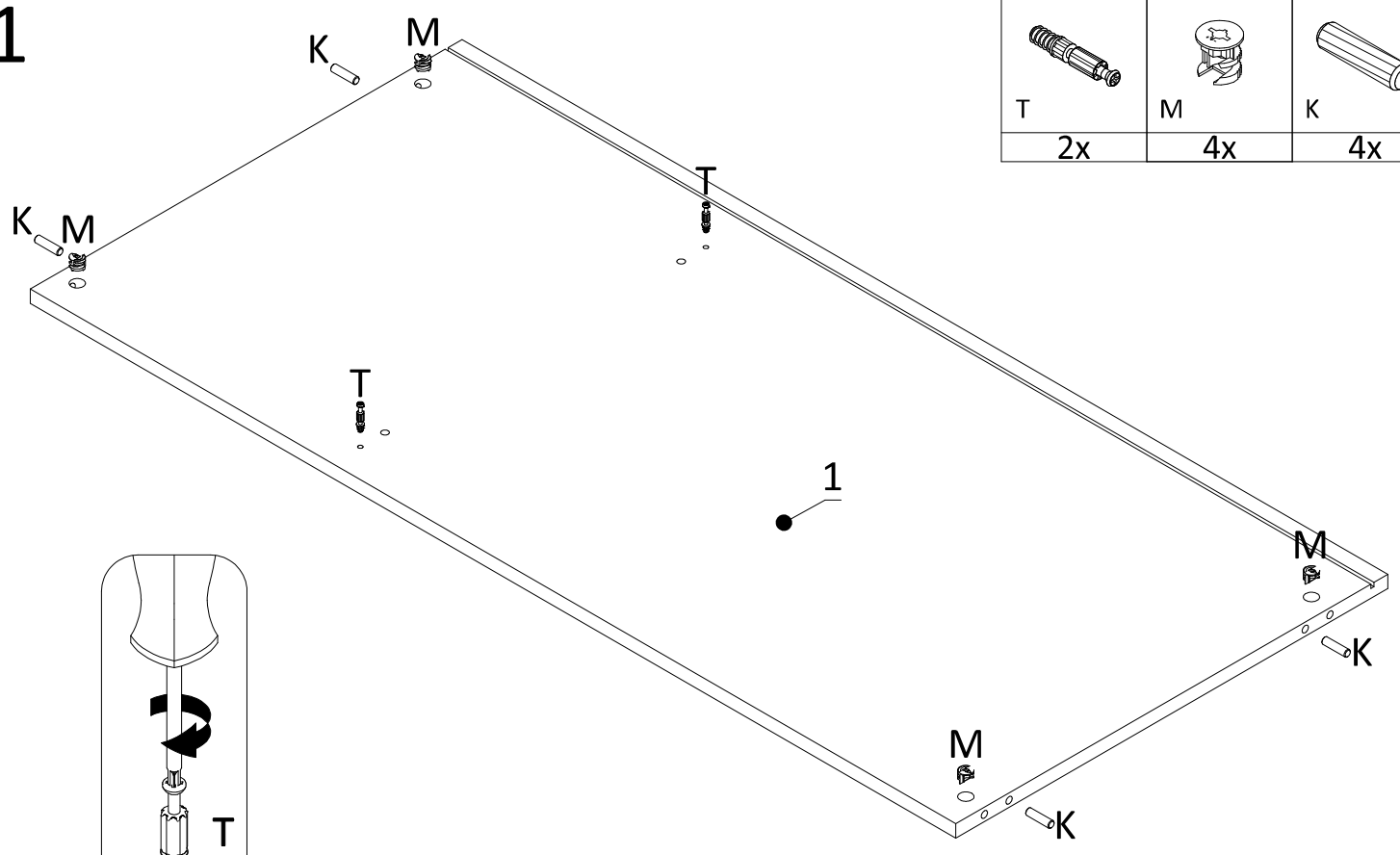
LEXI R-1

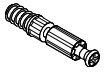

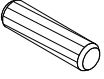


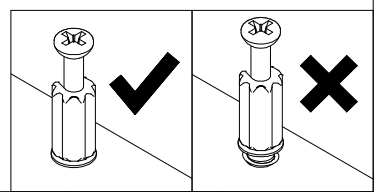


 PZ	 8x30 K	 8x45 K2	 15/12 M	 L20,3 T	 L56 T2	 2x PK-OH35-350			
9x	37x	x	40x	32x	4x				
 H	 U	 L350 WS	 5x13 E1	 3x13 W1	 3x16 W2	 4x16 W4	 4x30 W6	 7x50 KF	 Z2
1x	5x	2x	16x	4x	18x	22x	10x	4x	9x
 D	 R	 P	 SW4 KL	 SL	 ZM	 PM	 2x20 G	 S	 PS
1x	2x	8x	1x	5x	40x	18x	39x	11x	1x

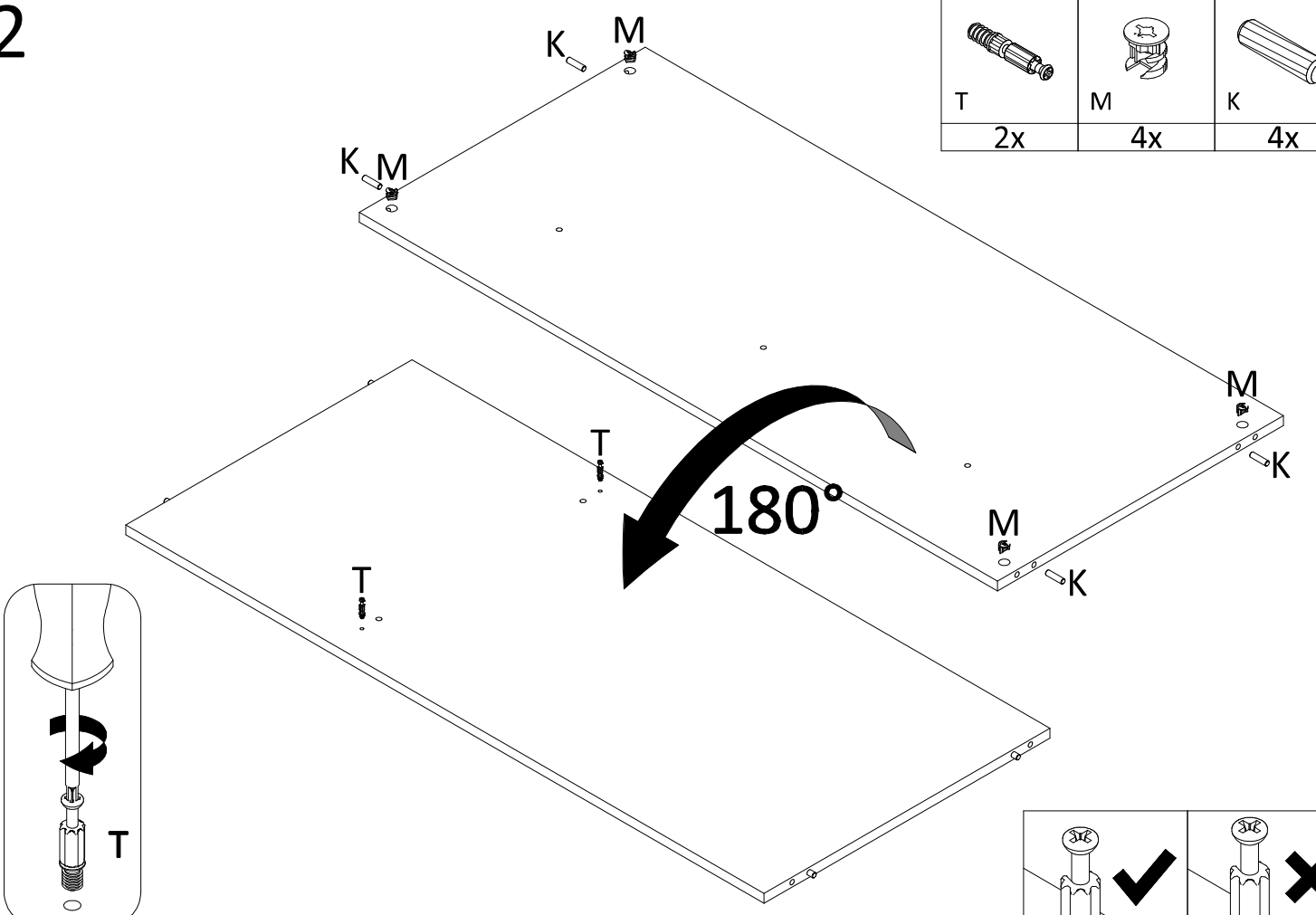
1

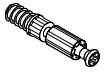

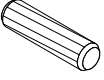


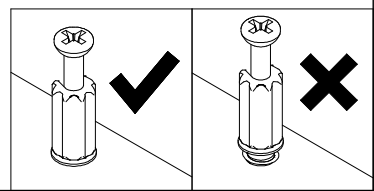
		
T	M	K
2x	4x	4x



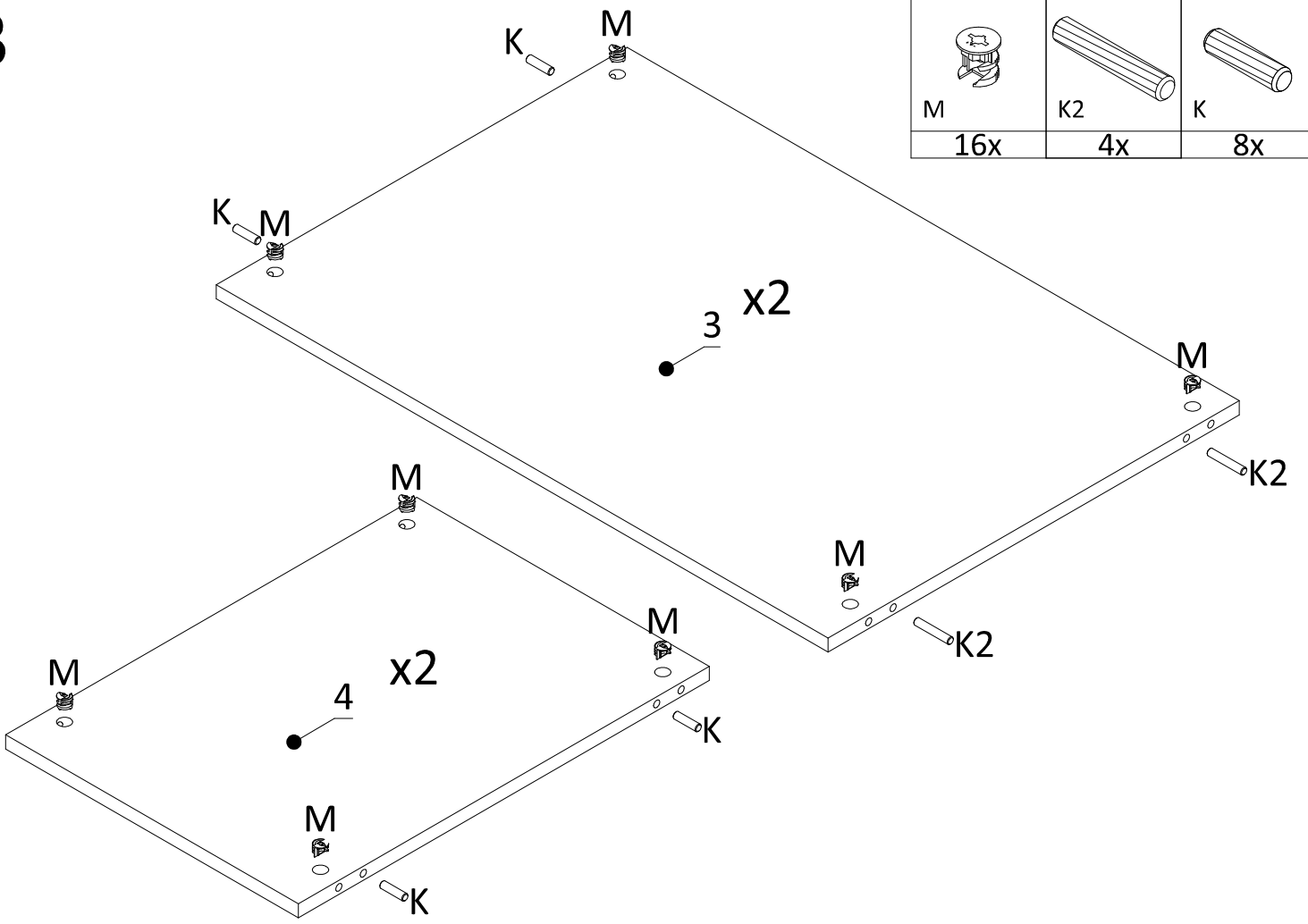
2



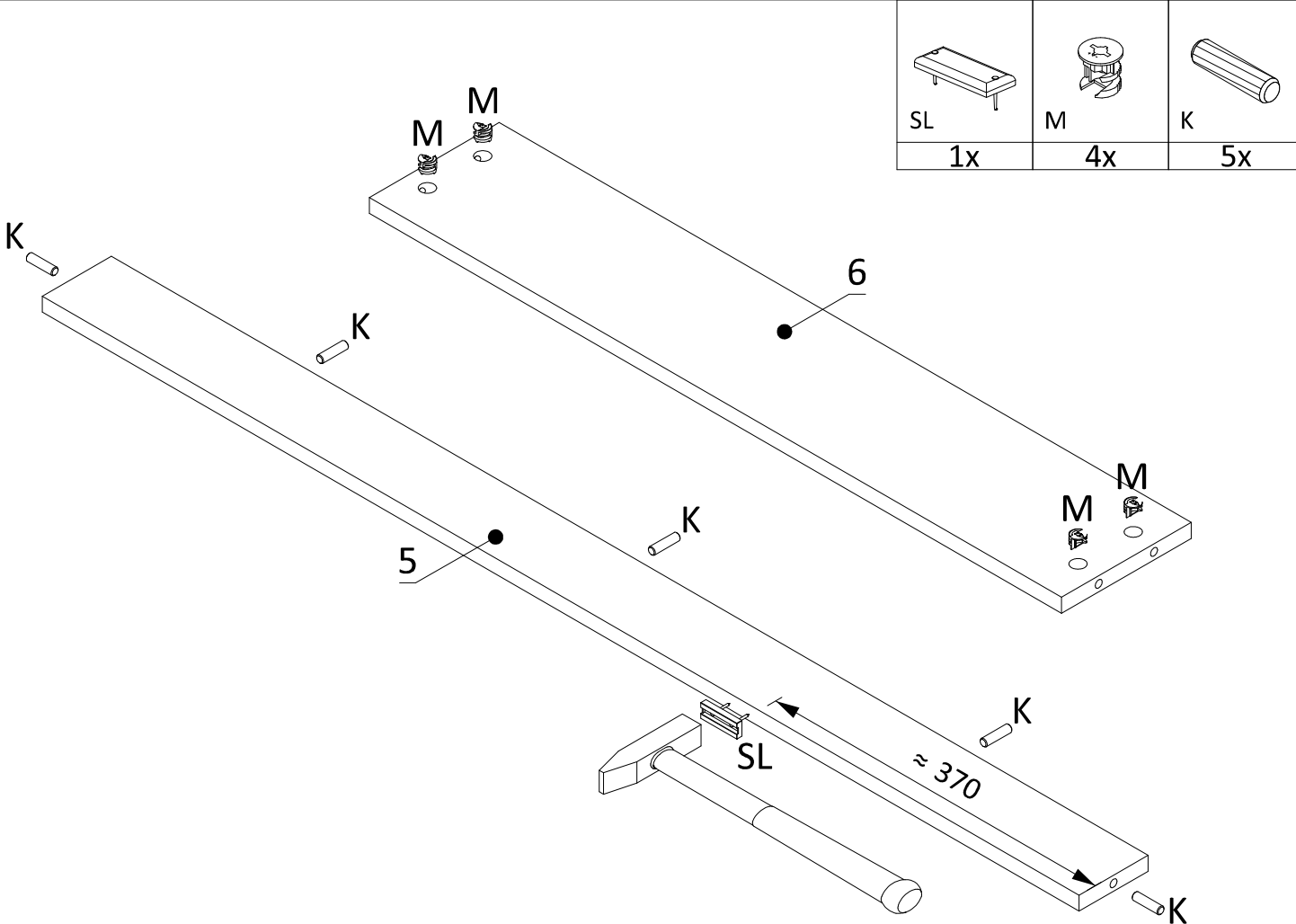
		
T	M	K
2x	4x	4x



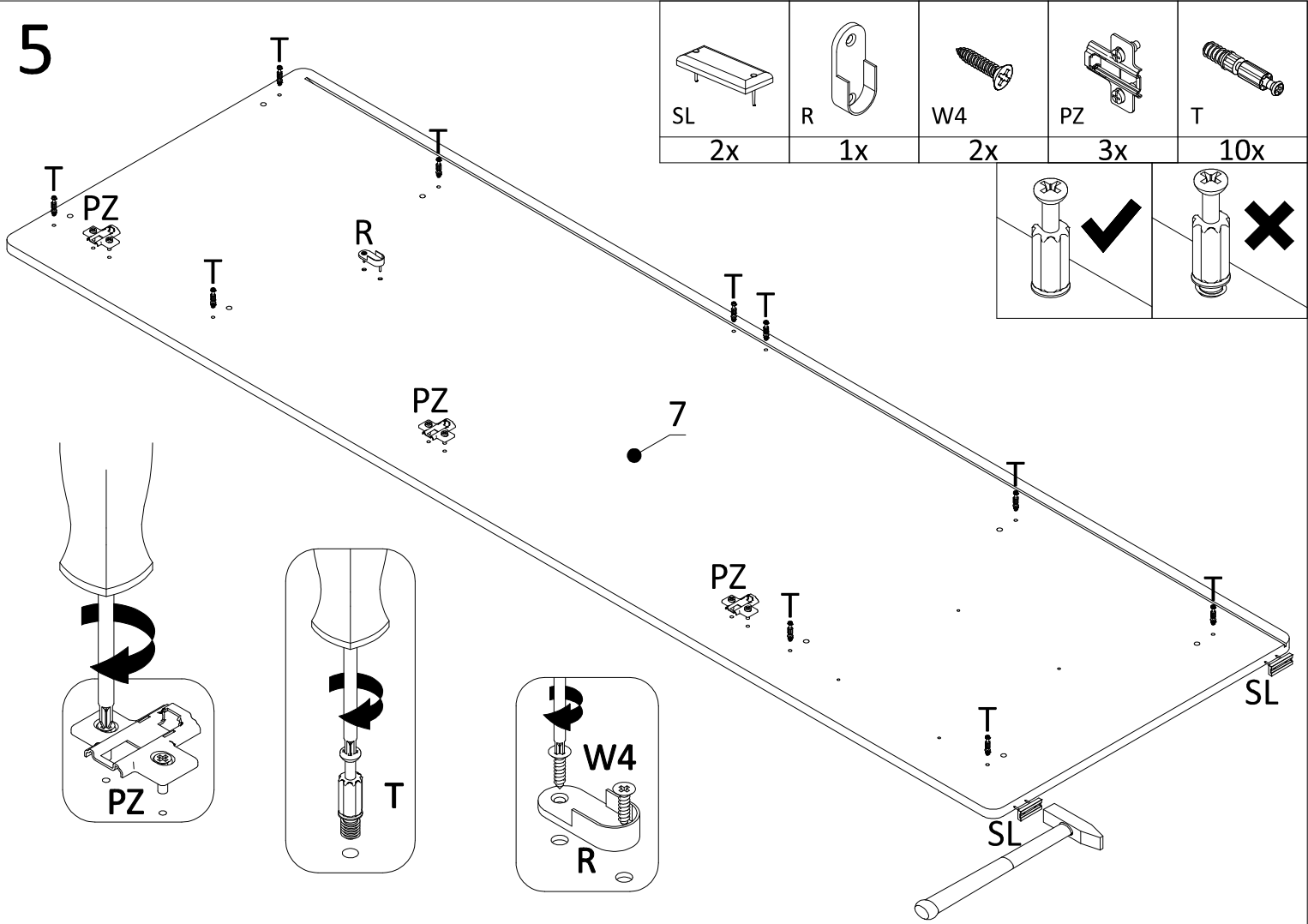
3



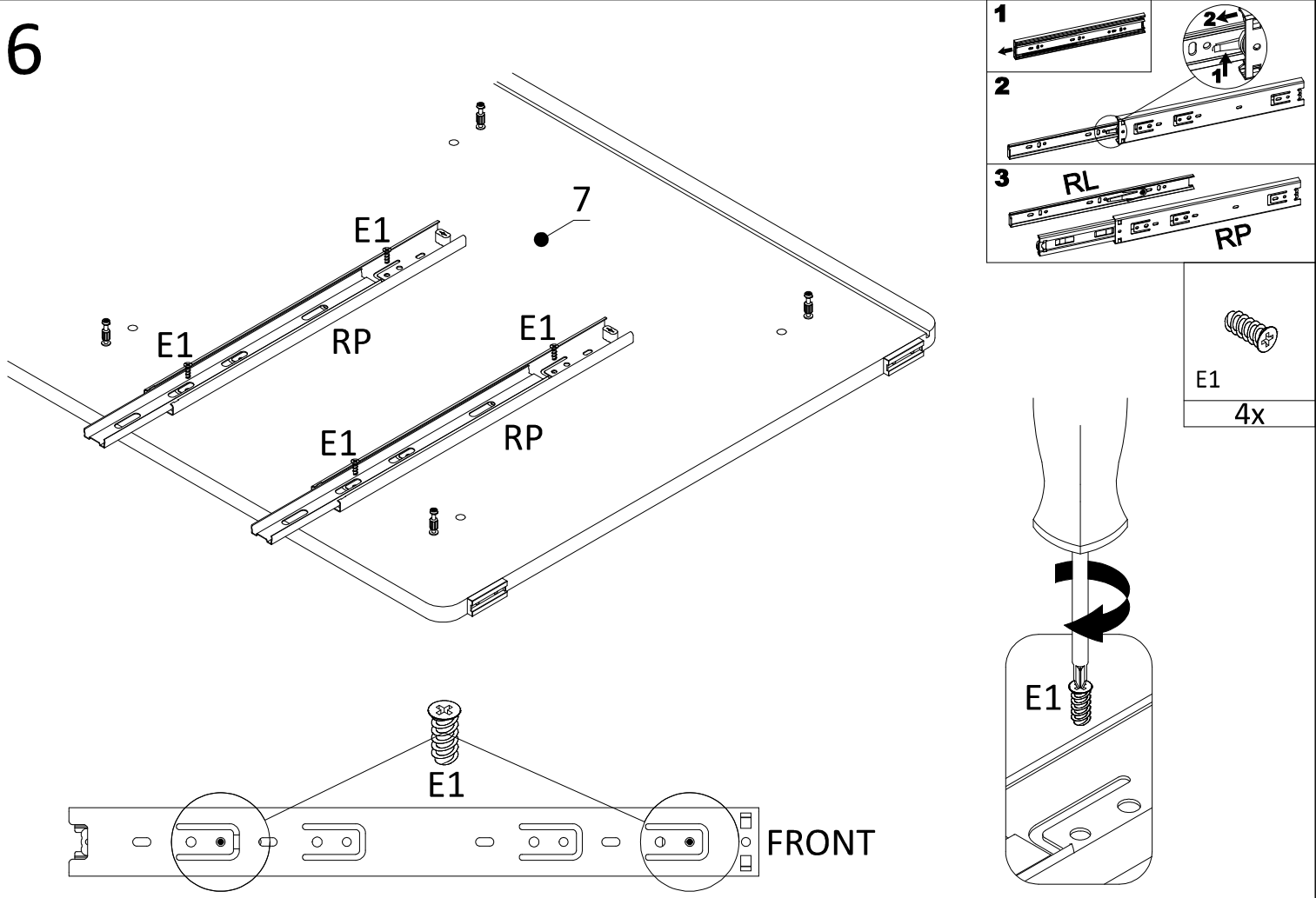
4



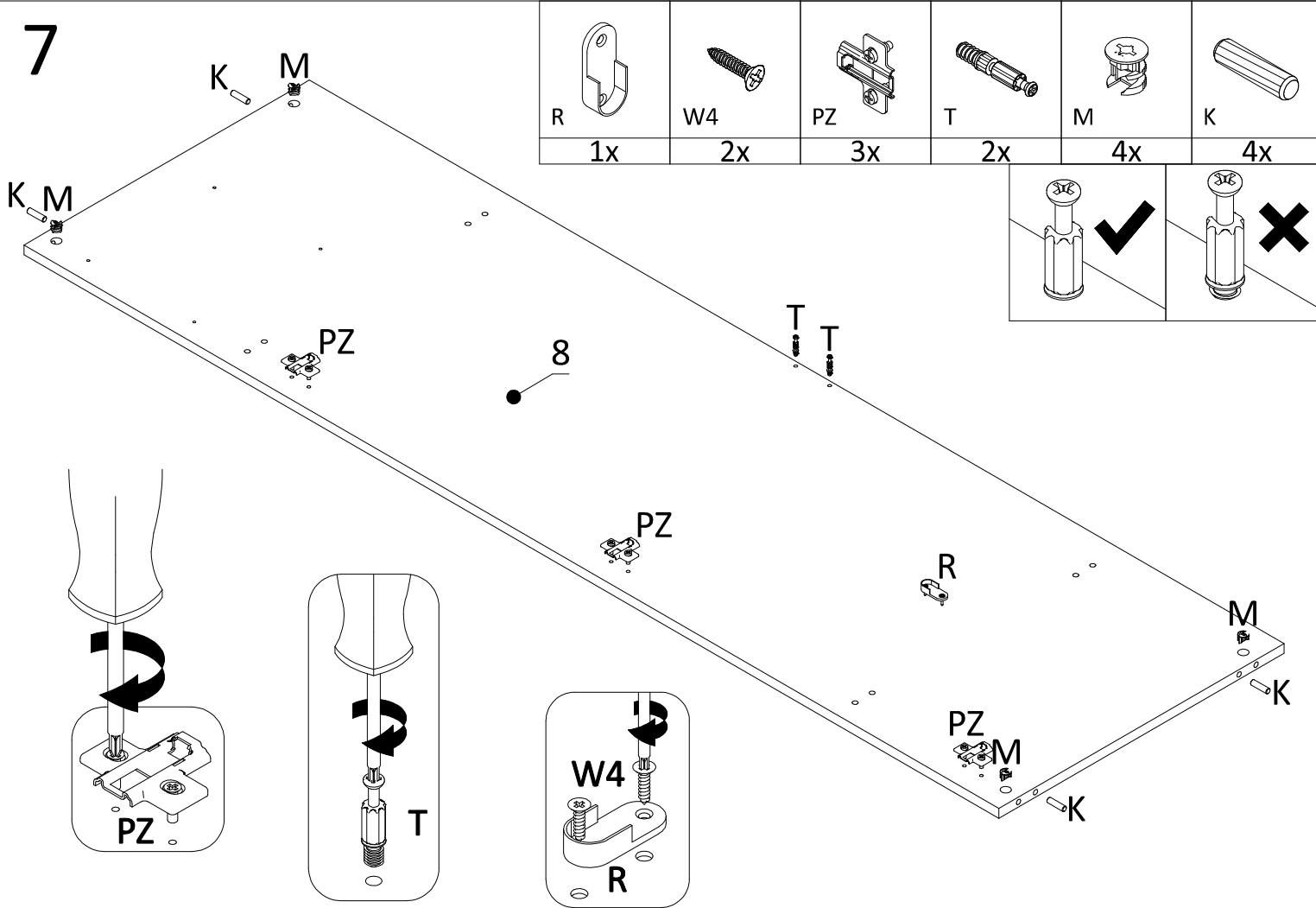
5



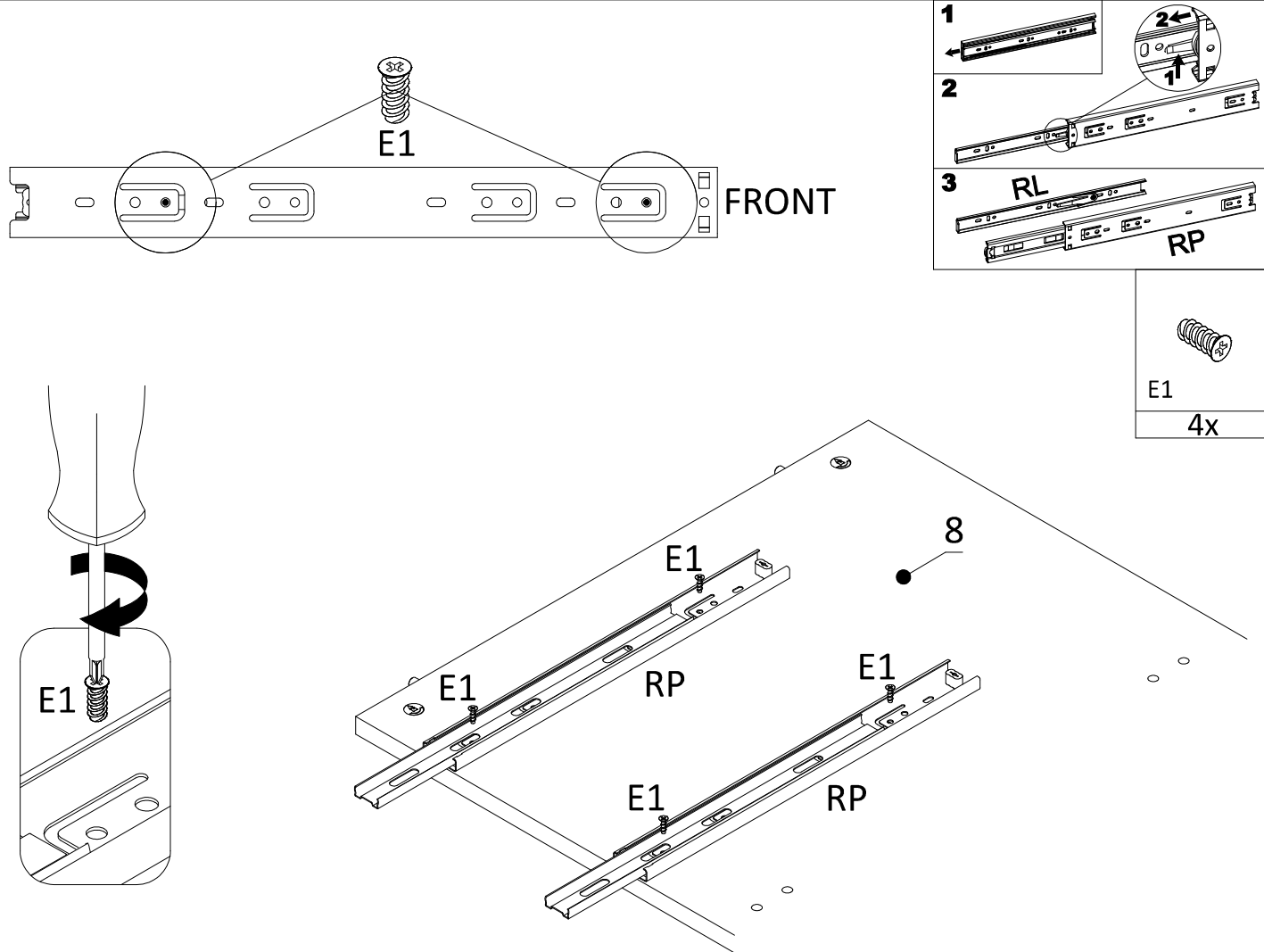
6



7



8

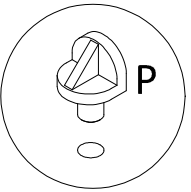
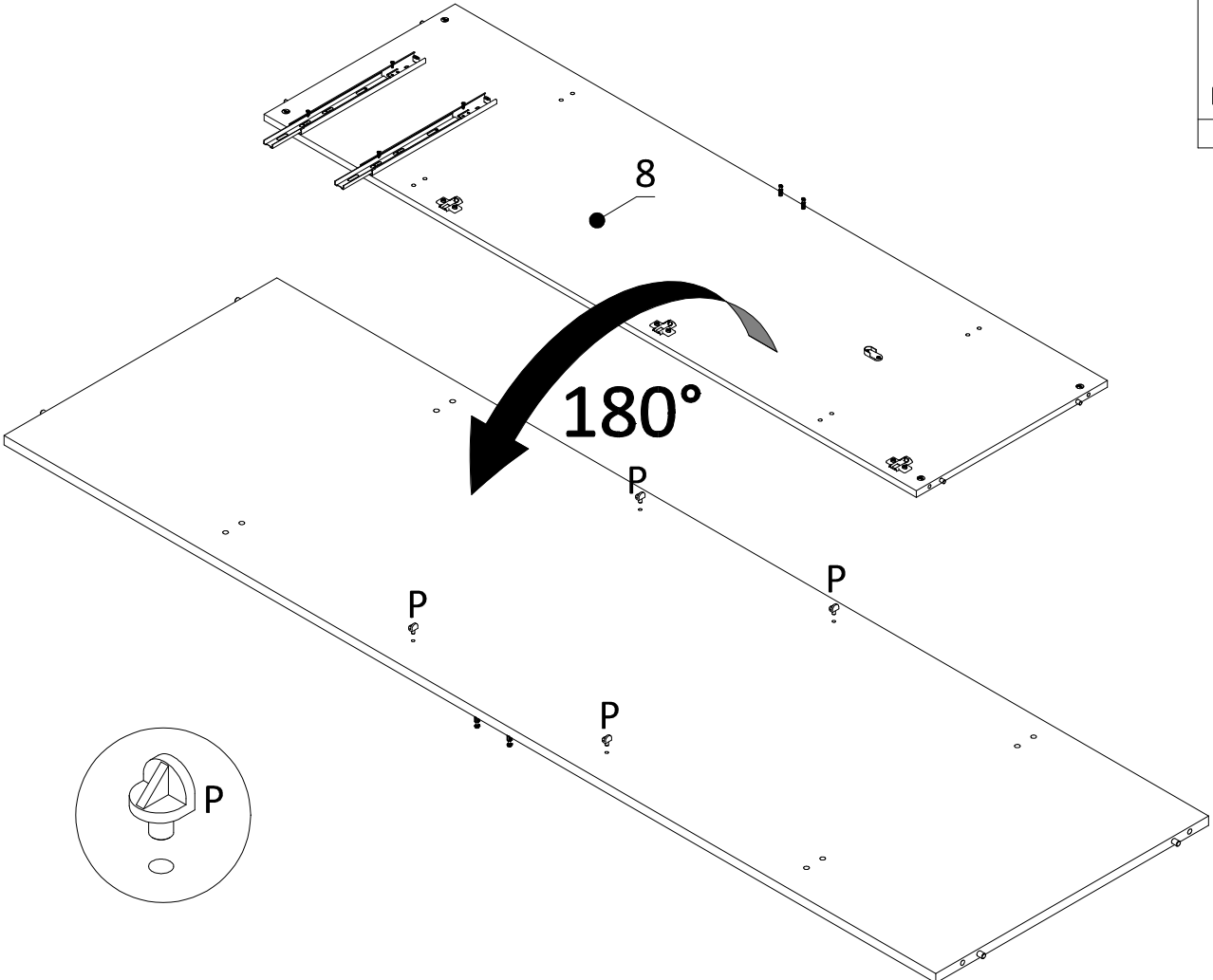


9



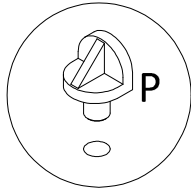
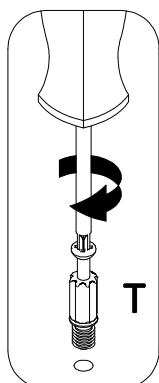
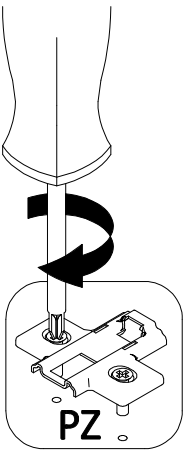
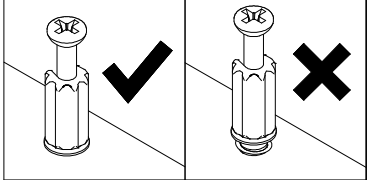
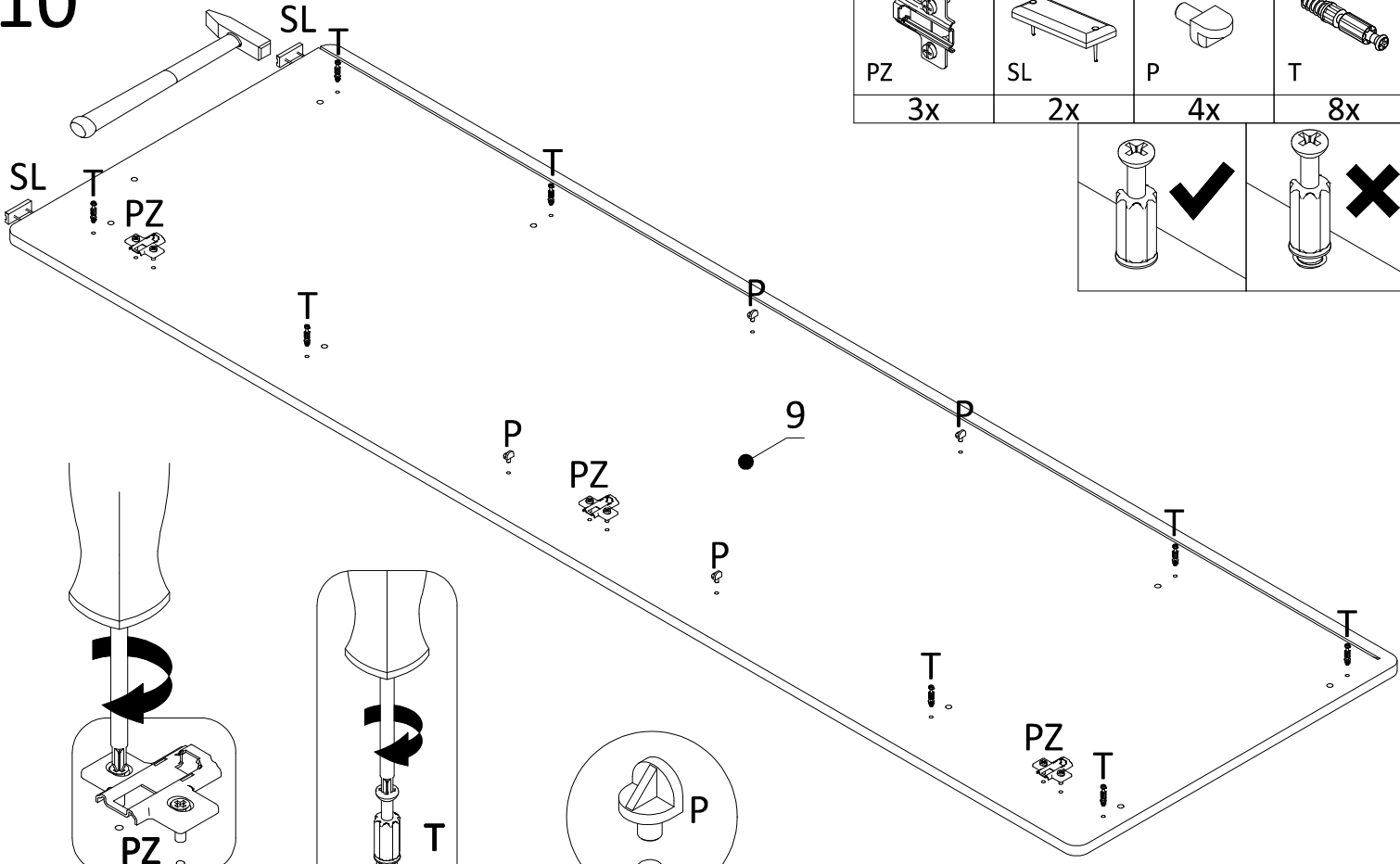
P

4x

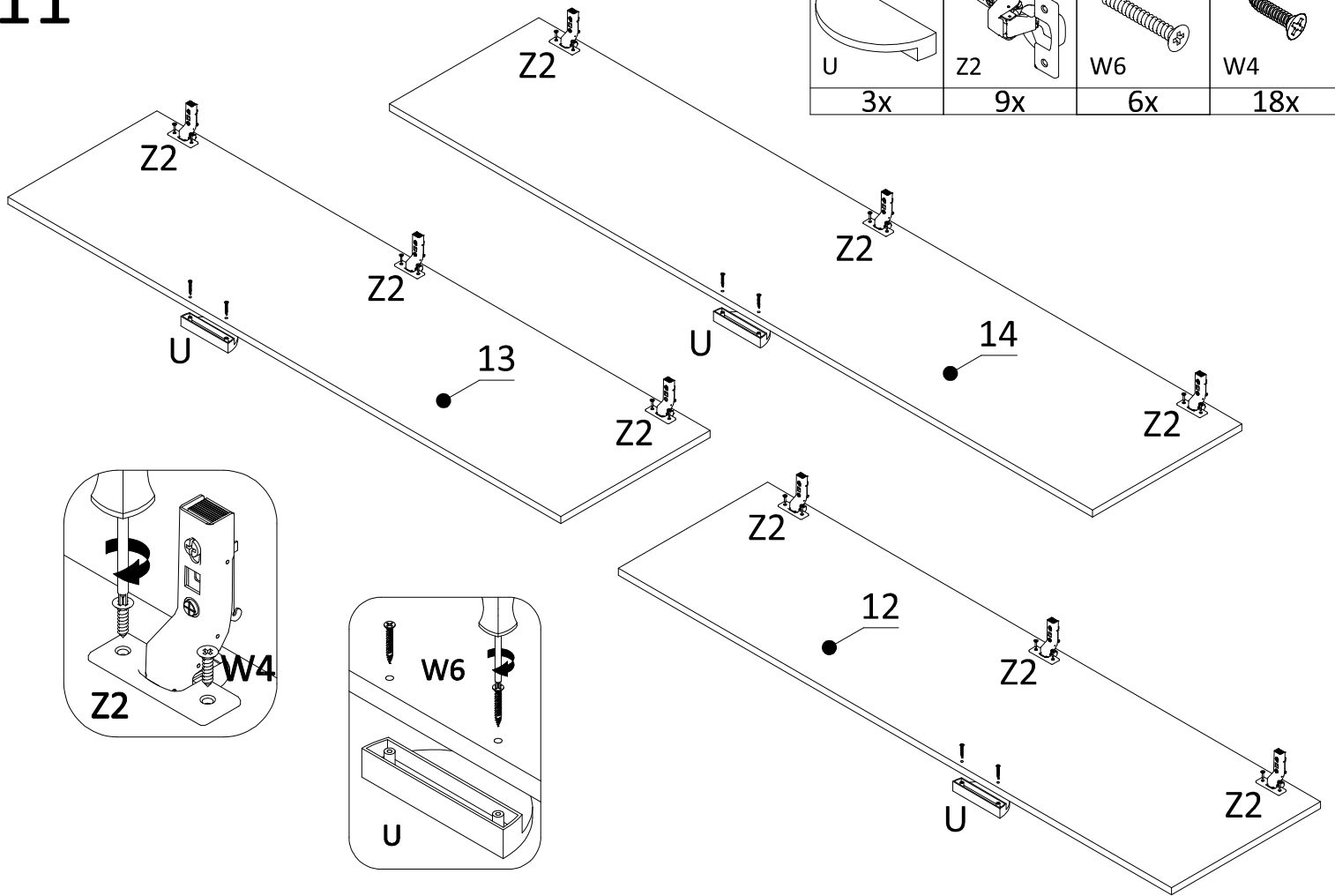


10

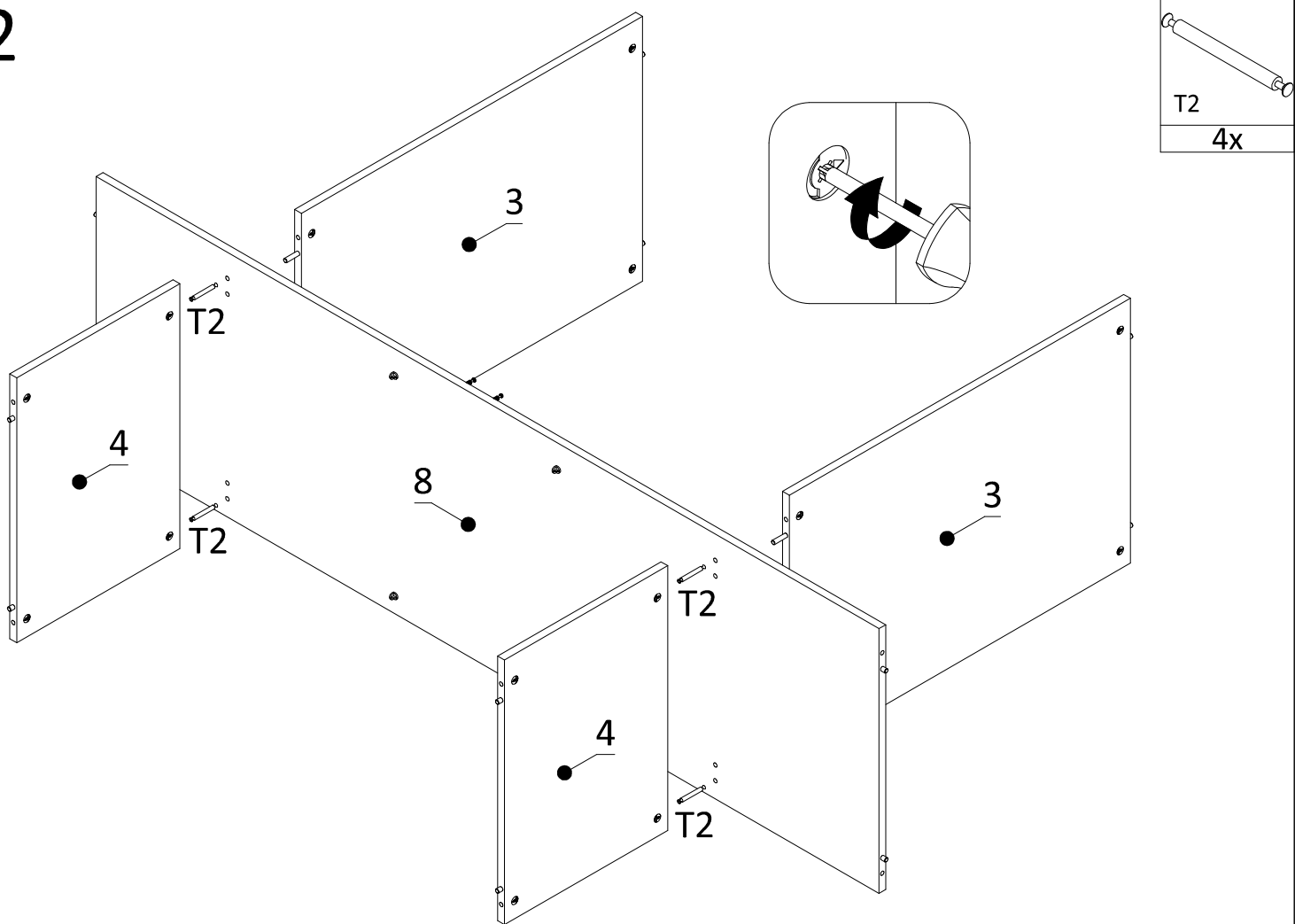
PZ	SL	P	T
3x	2x	4x	8x



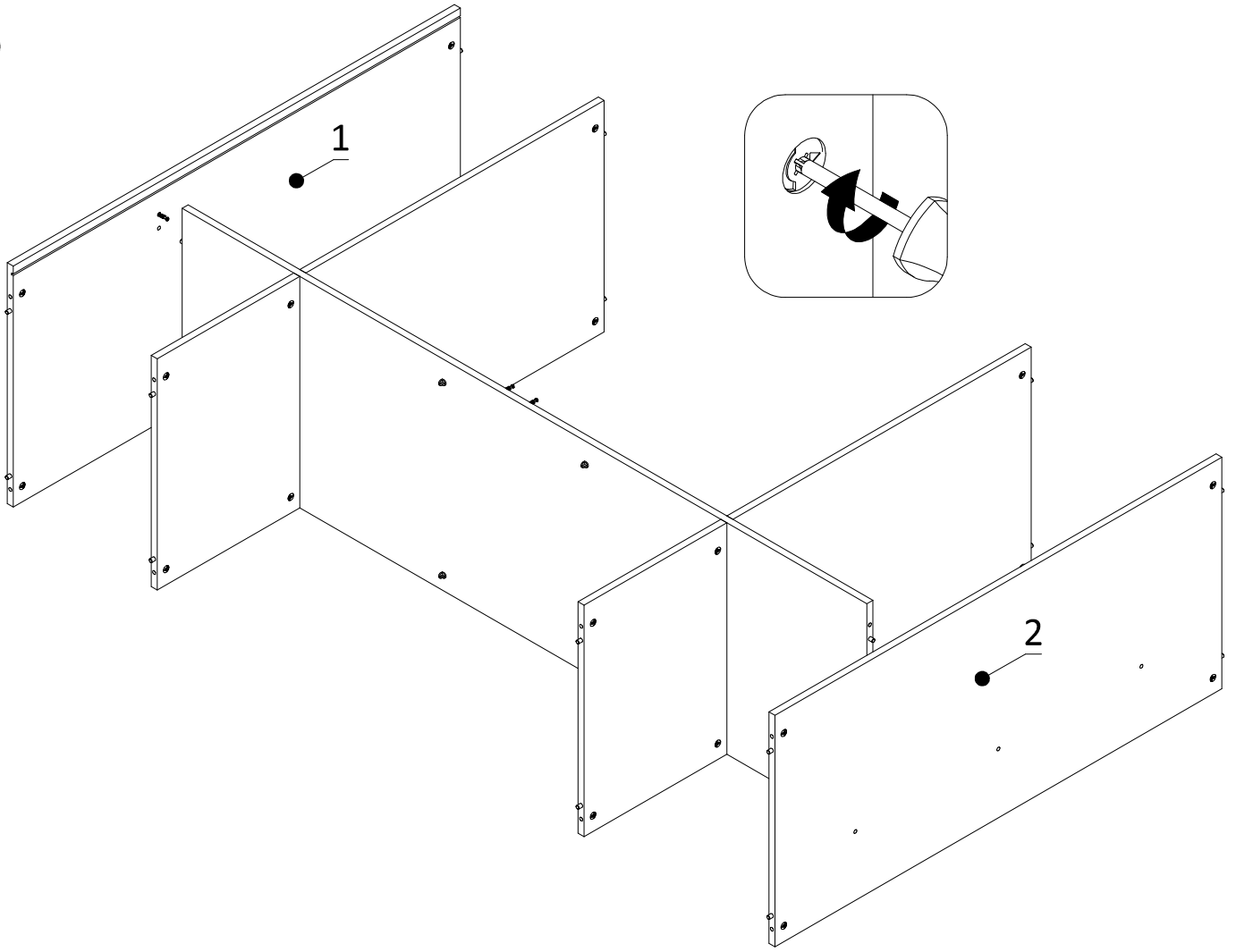
11



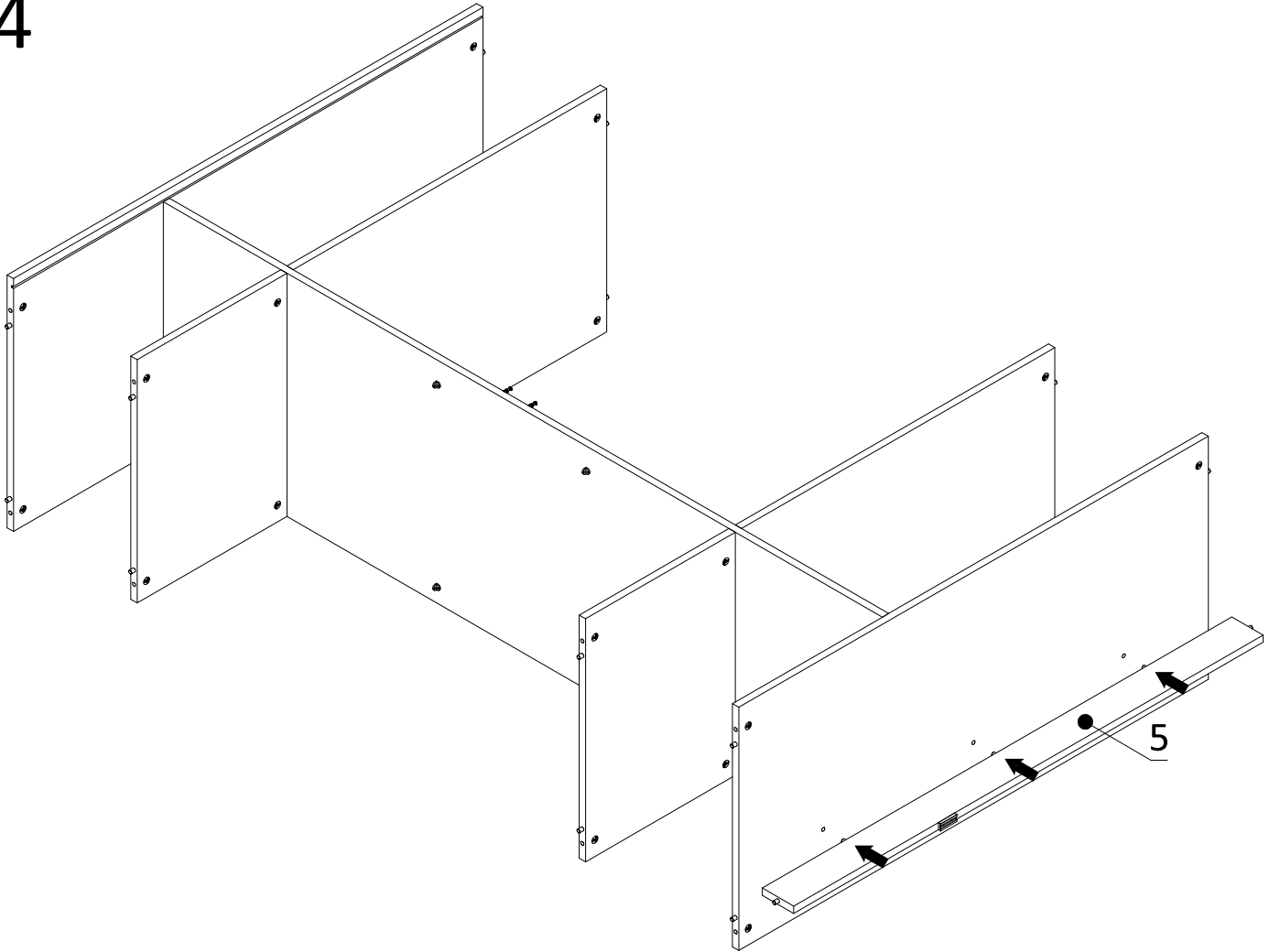
12



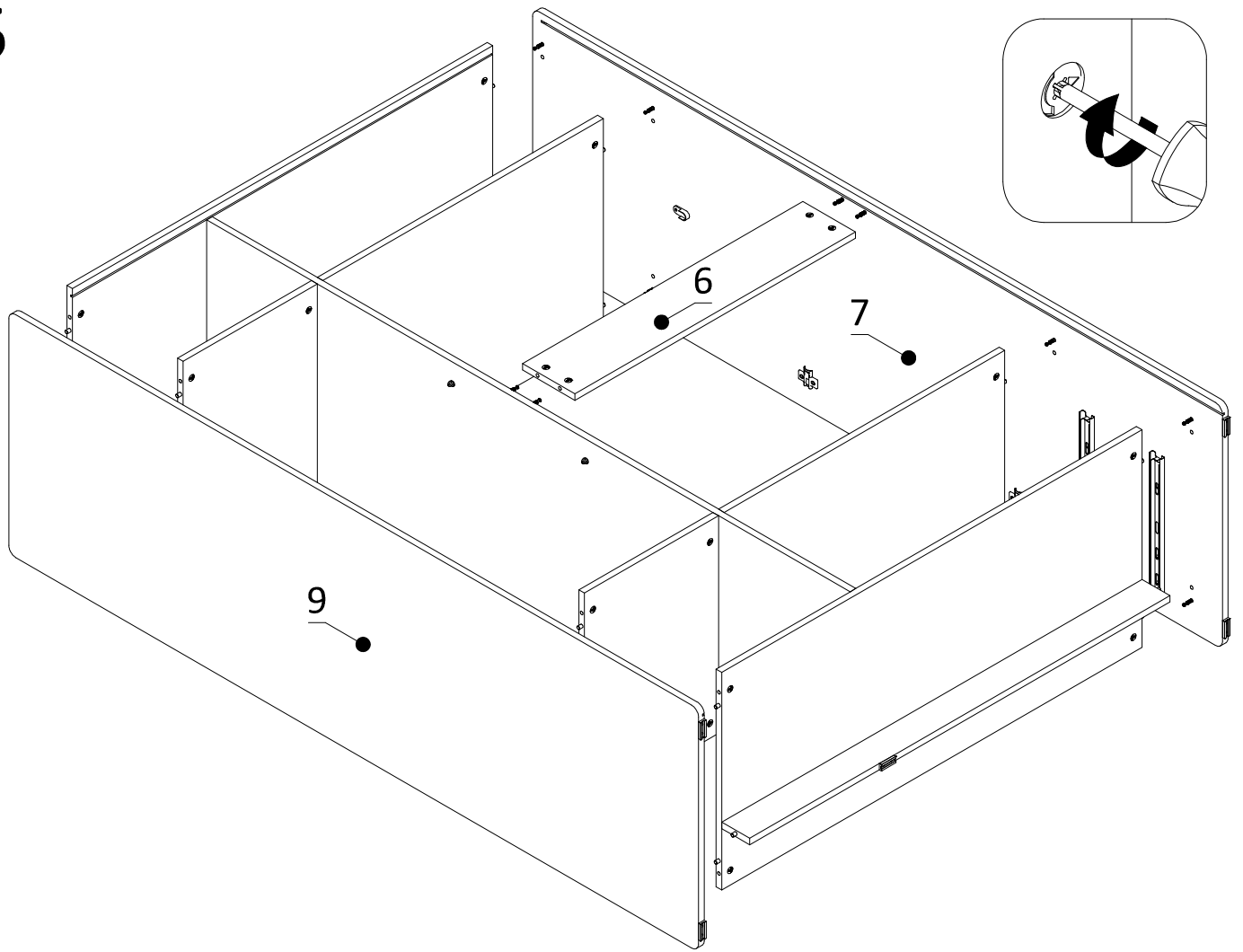
13



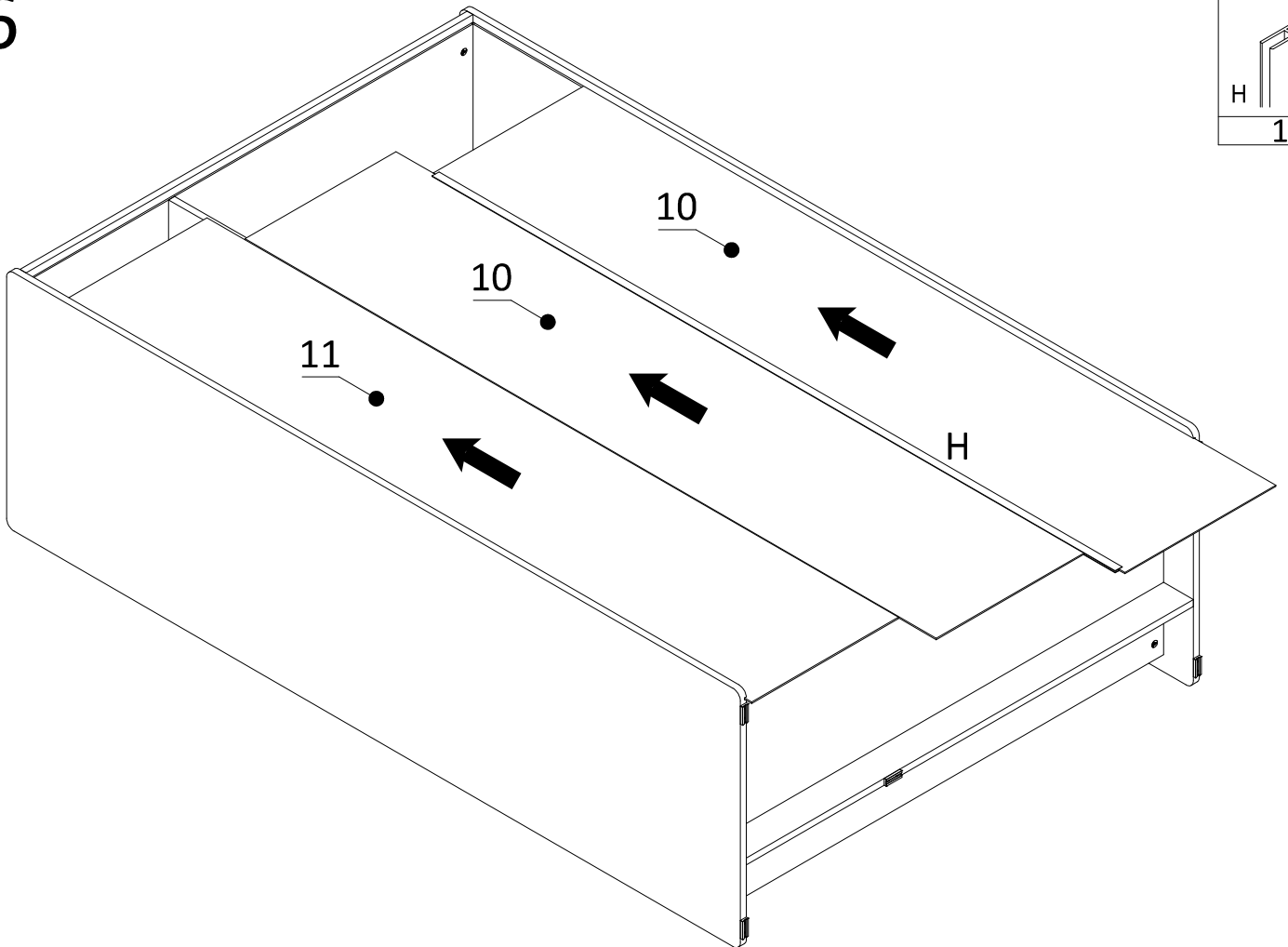
14



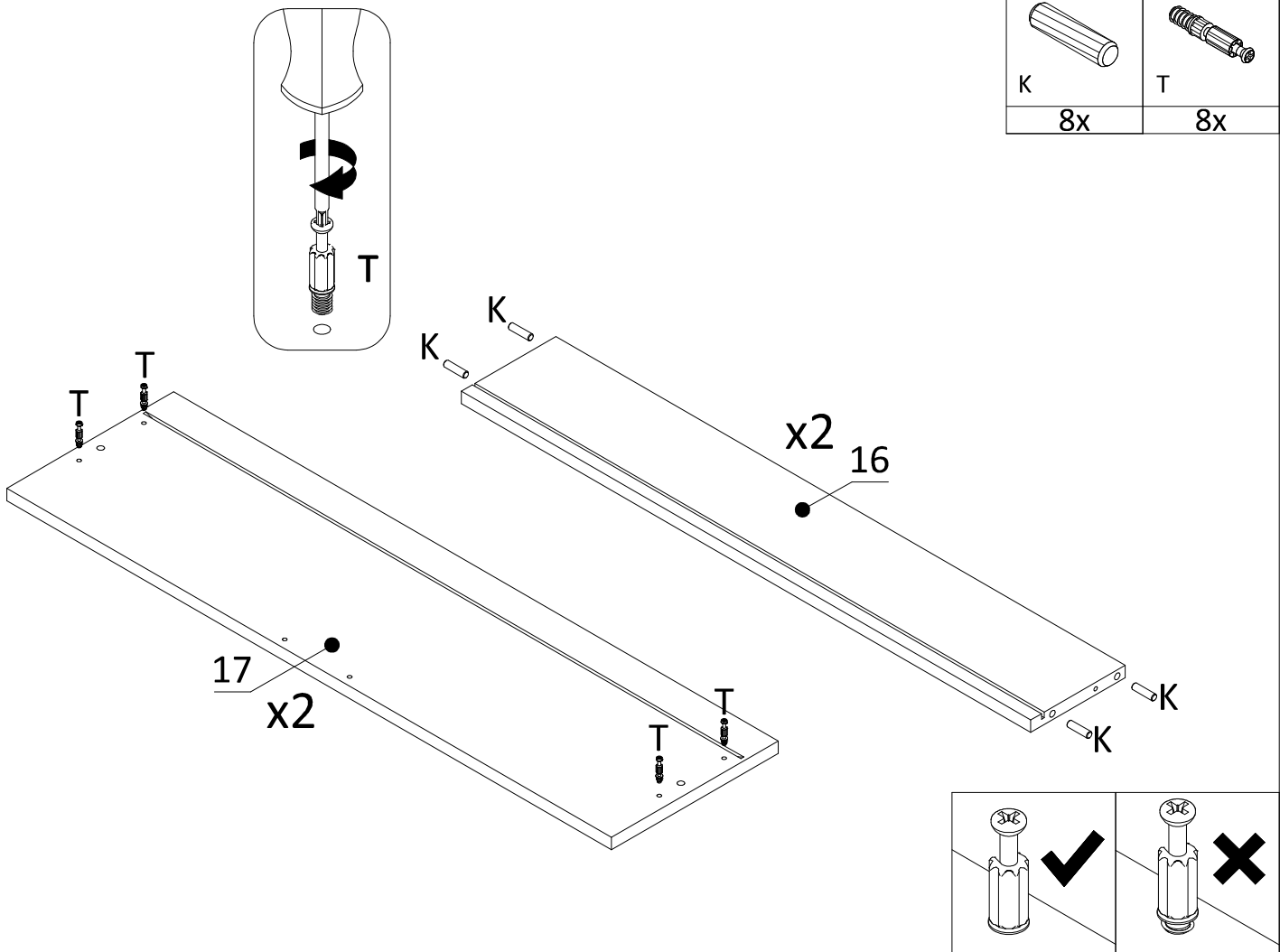
15



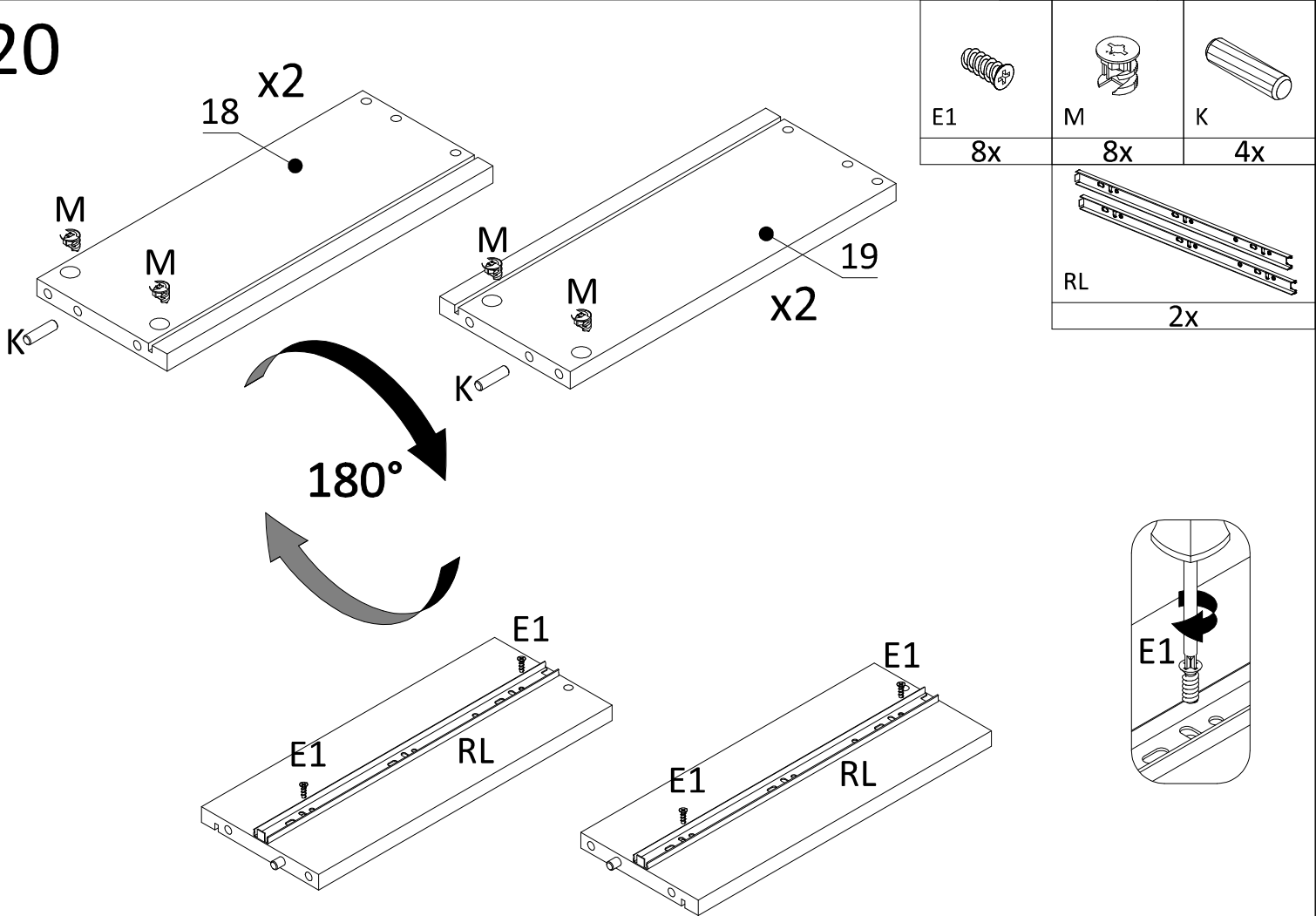
16



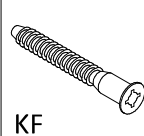
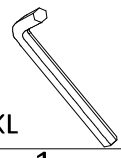
19

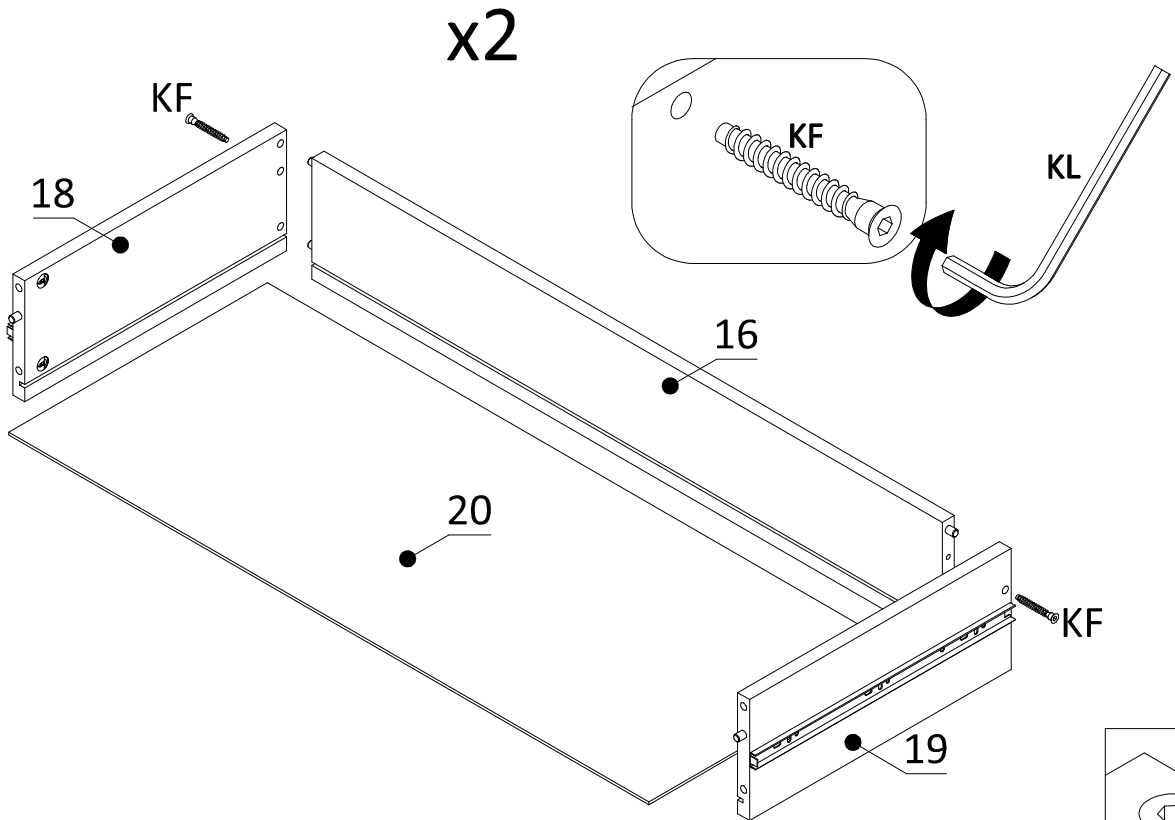


20

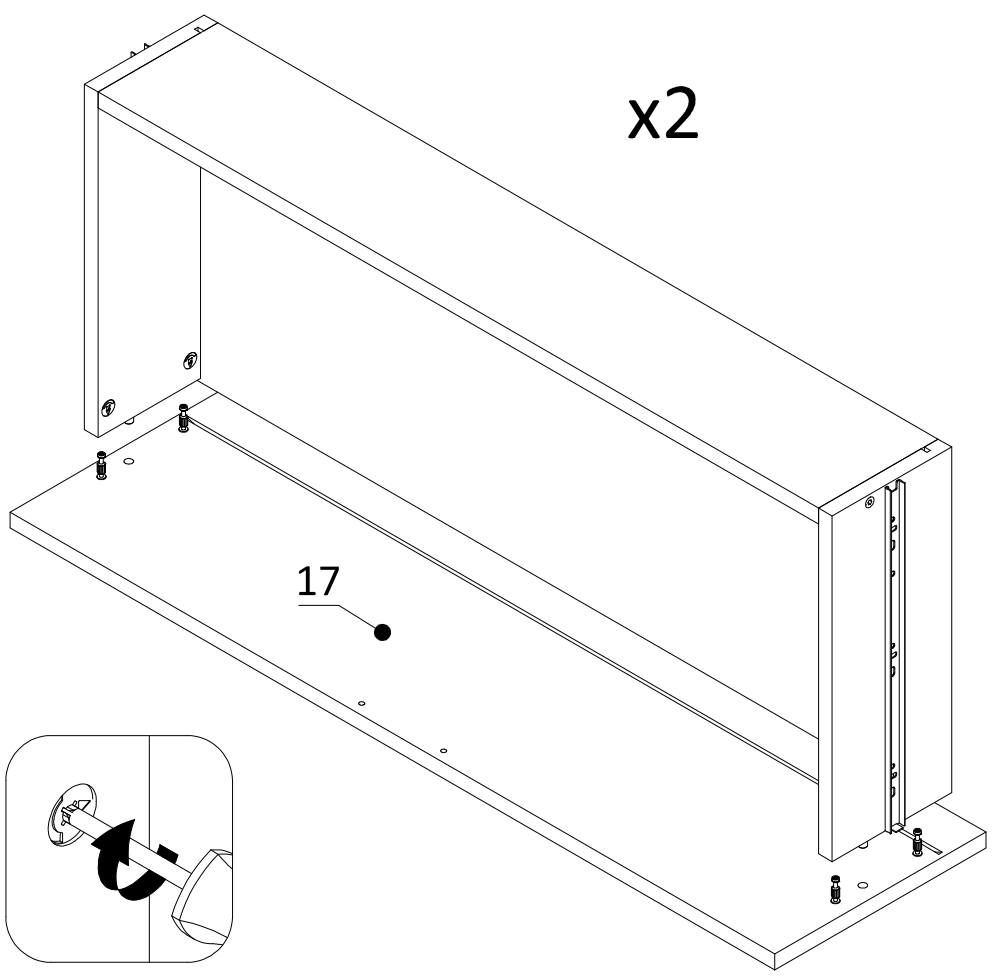


21

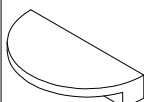

	
KF	KL
2x	1x

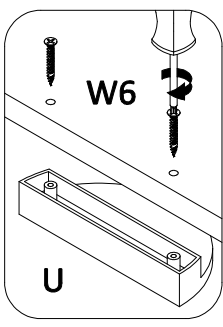
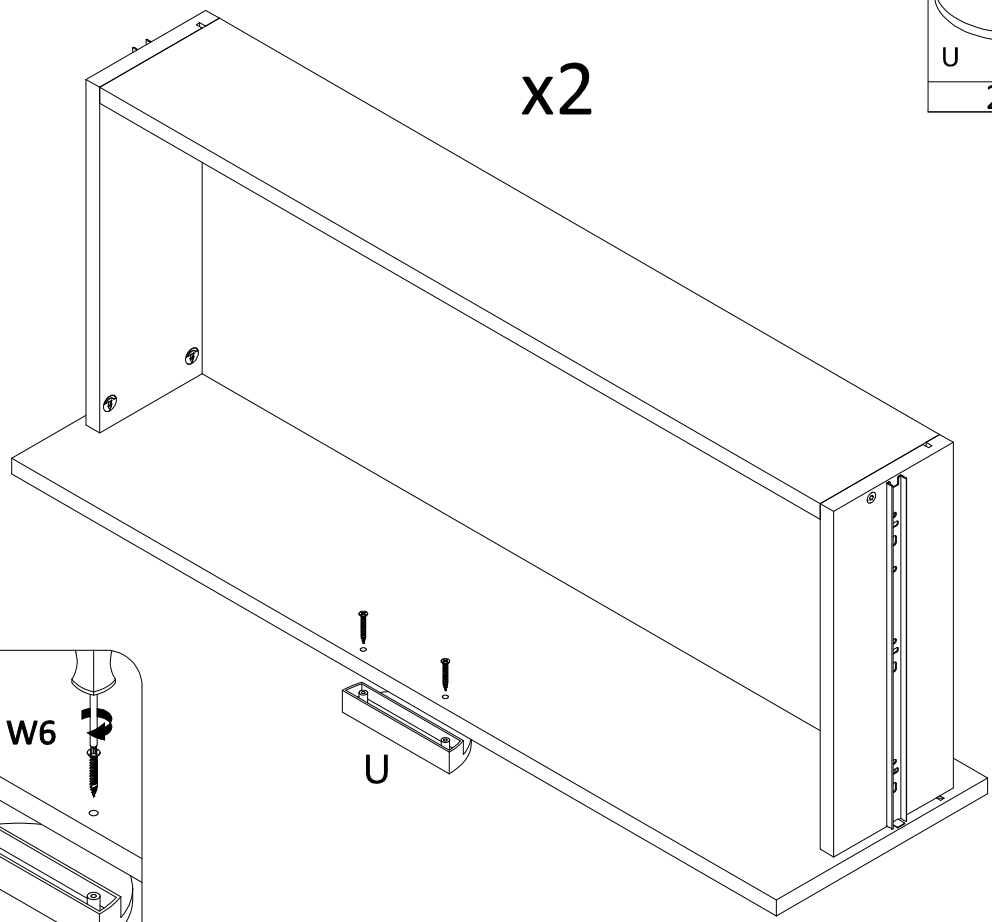


22

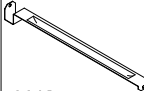



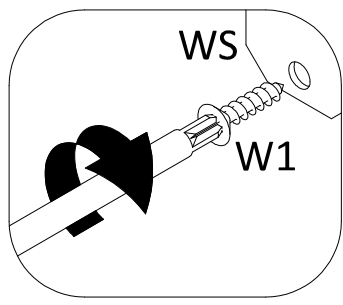
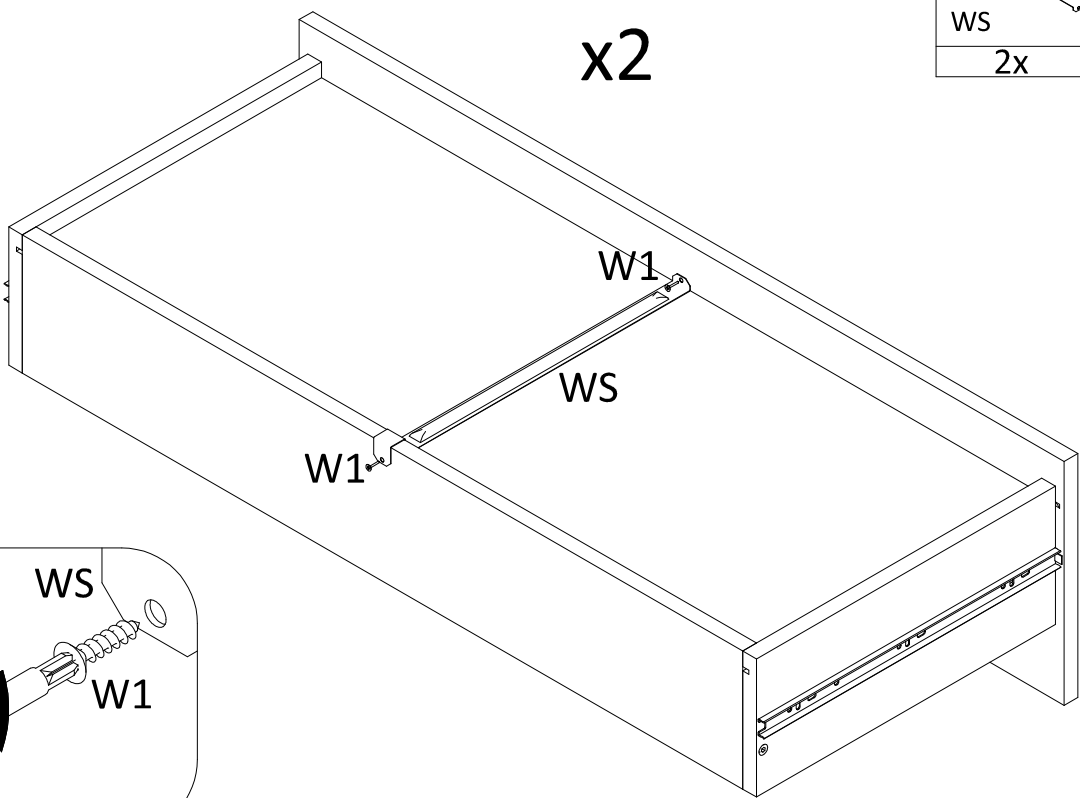
23

	
U	W6
2x	4x

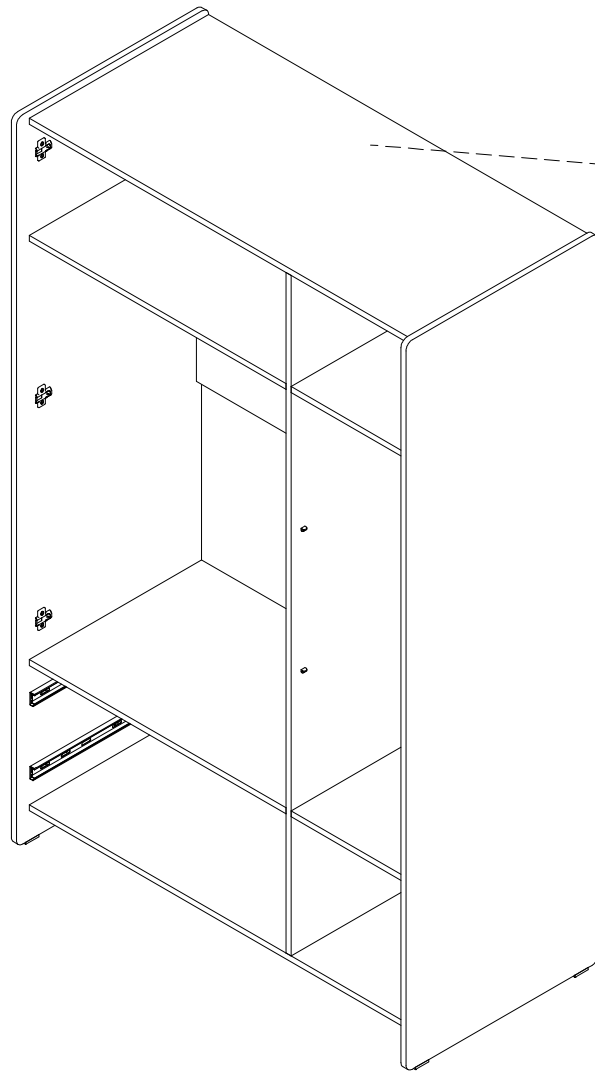
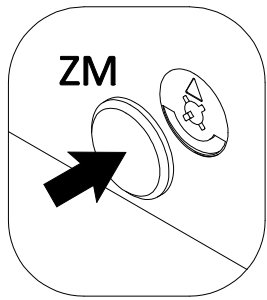


24

	
WS	W1
2x	4x



25



 PS 1x	1 X
2 o	
3 PS	
4 X	

26

